



ergo  
**STRAIGHT**  
by platinum

  
platinum  
STAIRLIFTS



**PRODUCT  
BROCHURE**

## THE PLATINUM ERGO STRAIGHT STAIRLIFT

Welcome to the Platinum Ergo Straight stairlift. The ideal choice for quick and simple installation on a straight staircase, designed for your comfort with an ergonomic chair and features that are fully adjustable to you.

Choosing a stairlift can be an overwhelming decision. However, the freedom offered in helping you return to independent living without having to leave the home you love makes it a great choice, providing you with a better quality of life and peace of mind for you, and your loved ones.



## WHY CHOOSE A PLATINUM ERGO STRAIGHT STAIRLIFT?



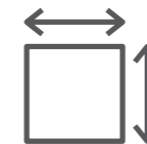
### SIMPLICITY

The Platinum Ergo Straight can be installed quickly and easily on any straight staircase allowing you to get back to enjoying the whole of the home you love.



### COMFORT

The Platinum Ergo Straight stairlift comes with an ergonomic chair, adjustable arms, backrest, chair pad and footplate providing an easy and comfortable journey for users of every size and shape.



### SPACE-SAVING SOLUTIONS

The Platinum Ergo Straight now comes with a space saving backrest as standard while the Ergo Plus chair pad remains an optional additional space saving feature. The floor mounted rail, easy foldaway chair, arms and power or lever activated footplate, leaves your stairs free from obstruction.



### SAFETY

Safety is paramount, for your peace of mind. Every stairlift is designed and tested to the highest standards (Machinery Directive 2006/42/EC and EN81-40:2020) before it leaves the manufacturing facility, giving you confidence in independent living.

## GET TO KNOW THE PLATINUM ERGO STRAIGHT STAIRLIFT

The Platinum Ergo Straight stairlift offers you the ideal combination of function and comfort, letting you enjoy living in the home you love.

There are several options that are configured to you and your comfort at the point of order and installation. Here we have detailed these and many other benefits, so you can be confident in your decision that the Ergo Straight is the right stairlift for you.

### COMFORT

#### Choices for an easy and comfortable stairlift

- The Ergo and Ergo Plus chair pad options are designed to make sitting on the chair easy for the user, whatever size or shape.
- The choice of lever linked or powered footplate means there is no awkward bending to fold up the footplate.
- Powered or manual lever swivel for easy exiting of the chair.
- Can accommodate up to 25st (160kg).

Adjustable arms, backrest, chair pad and footplate.



Direction controls are easy to operate and can be swapped out to a joystick if required.



## SAFETY

For you and your loved ones peace of mind

- Easy to use interlock seat belt for your safety.
- Our stairlifts are battery-powered, in the event of a power cut you can still access your home.
- Automatic stop feature, if there is an obstacle on your stairs.
- Text display for real time information, easily visible on the armrest.



Text display.



Remote control to call and park your stairlift at the top or bottom of the stairs.

Powered hinge rail.



## SPACE-SAVING SOLUTIONS

Compact design to blend into your home

- Foldaway arms, chair and footplate ensuring your stairlift leaves your stairs fully accessible for others.
- The option of the remote-controlled powered hinge rail. Removing the inconvenience of a protruding rail from the bottom of your stairs. An ideal solution to avoid obstructing doors or walkways.



## YOUR OPTIONS

The Platinum Ergo Straight stairlift comes with a choice of key features to make it an accessible chair for everyone to use and to fit seamlessly into your home.

The armrests, backrest and chair pad of the Ergo Straight can be adjusted to accommodate the user.

## THE CHAIR

The fully adjustable Ergo Chair now comes with a space saving backrest as standard. The optional Ergo Plus chair pad, with its contoured front, is ideal for those with shorter legs or those who have difficulty bending their knees.



Standard Chair pad



The Ergo Plus Chair pad

## WEIGHT OPTIONS

The Ergo Straight now has a weight capacity of 160kg (25 Stone).



## THE RAIL

Powered hinge rail option, or standard aluminium rail.



Standard Start



Powered Hinge Rail

## THE LOCATION

The Platinum Ergo Straight stairlift is suitable for straight staircases indoor and outdoor.



Outdoor Cover

## THE UPHOLSTERY

Colours to suit your home décor.



Red



Blue



Grey



Beige

# THE PLATINUM ERGO STRAIGHT JOURNEY

Six simple steps to help you enjoy your whole home.

- 1 Call your stairlift using the remote control, if you have chosen a powered hinge, it will automatically lower.



- 2 Lower the armrests and the chair pad and put the footplate down with the easy to reach side lever or power footrest button. Your stairlift is ready to use. The screen will display 'Platinum', meaning you are ready to go.



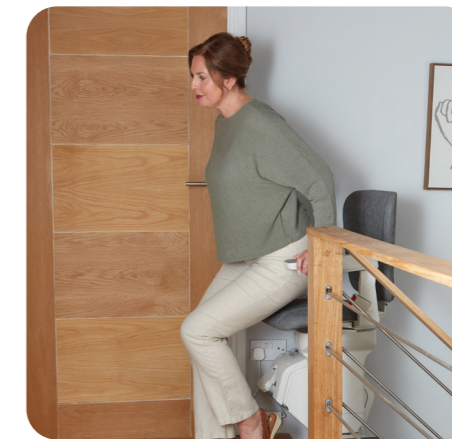
- 3 Your chair will be fully adjusted to your size and shape at installation, so, all you need to do is sit comfortably in the chair, engage the seat belt and you are ready.



- 4 To operate your stairlift, simply use the controls in the armrest and lightly press in the direction you wish to travel.



- 5 Once you have arrived the powered swivel will turn the chair, and when it finishes, unbuckle and safely step off. If your lift has a manual swivel, use the lever situated under the chair to swivel the chair.

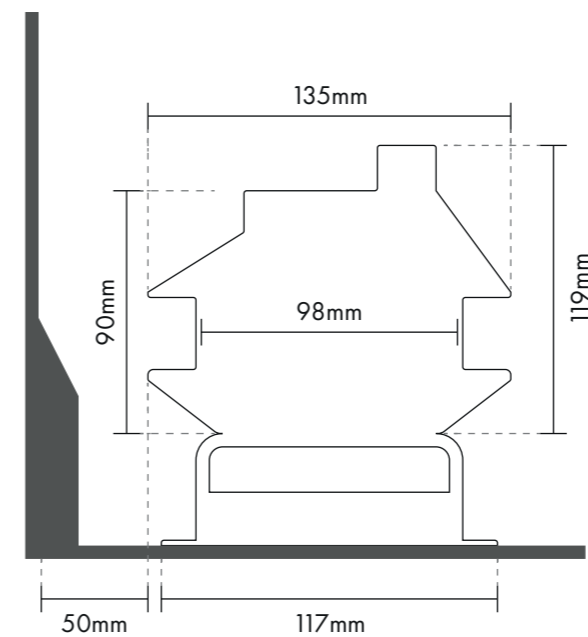
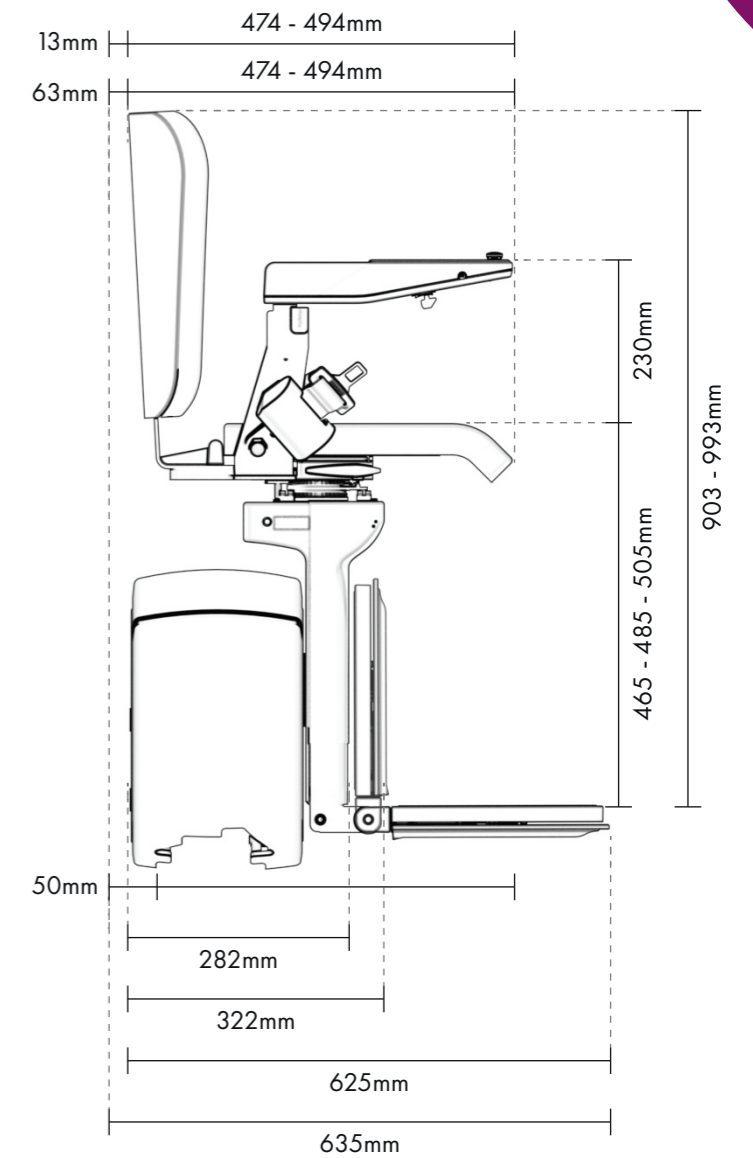
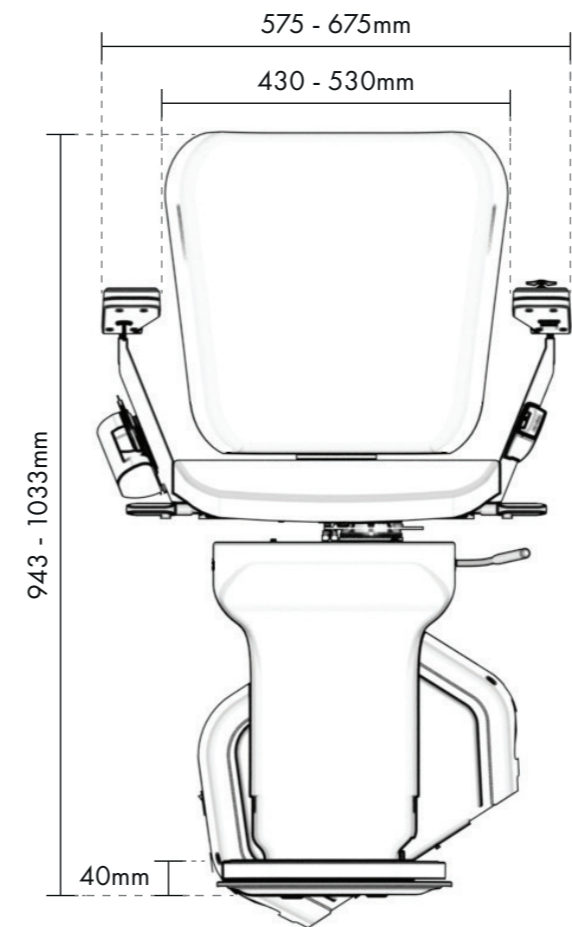


- 6 On arrival, fold up the arms and chair, and use the footplate lever or button to fold it away.



## PLATINUM ERGO STRAIGHT SPECIFICATION

<b>SPEED</b>	120mm/s (0.12m/s) Maximum.
<b>DRIVE</b>	300W Rack and Pinion Drive.
<b>WEIGHT CAPACITY</b>	160kg (25St).
<b>STAIRCASE INCLINE</b>	Up to 62°.
<b>OPERATION</b>	Arm mounted rocker / joystick or Infrared or Radio Frequency remote call and send controls.
<b>CERTIFICATION</b>	BS EN 81-40:2020, Machinery Directive 2006/42/EC, UKCA Supply of Machinery (Safety) Regulations 2008.
<b>CHAIR SWIVEL</b>	2-way manual swivel as standard / 1-way power swivel option.
<b>FOOTPLATE</b>	Manual lever-link on carriage or powered option.
<b>CHAIR HEIGHT</b>	Adjustable to 465mm / 485mm / 505mm chair to footplate.
<b>CHAIR VARIATIONS</b>	Fully adjustable Ergo chair with the option of the Ergo Plus chair pad. (Space saving back now comes as standard).
<b>SAFETY</b>	Safety edges on footplate and carriage. Over-speed governor. Electro-magnetic motor brake. Interlocked retractable reel seat belt. Interlocked swivel chair.





ergo  
**STRAIGHT**  
by platinum

## WHY CHOOSE PLATINUM?

Platinum Stairlifts are a British manufacturer, located in Yorkshire. We have been a provider of high-quality stairlifts since 1996.

Committed to the highest level of quality, safety, comfort and reliability. Every stairlift is tested in our manufacturing facility to the highest standards prior to delivery and comes with a personalised signed certificate of quality.

Platinum Stairlifts work closely with an Approved Partner Network across the world. You can be assured that your stairlift provider is confident in our quality product and is fully-trained and supported by us to provide the best solution for you.

---

*“When our customers need a stairlift, time is of the essence. This is why we choose to work with Platinum Stairlifts. They provide a quality product for staircases of all shapes and sizes, and with a great turnaround time. Finally, if there are ever any issues, they are always on hand to support us and resolve things quickly.”*

Platinum Partner - March 2023







**ergo**  
**STRAIGHT**  
by platinum



Quality | Reliability | Partnership | Innovation | Caring

Platinum Stairlifts Ltd, Unit 10 Crosshills Business Park,  
Keighley, West Yorkshire, BD20 7BW  
+44 (0) 1535 631 177

[www.platinumstairlifts.com](http://www.platinumstairlifts.com) | [enquiries@platinumstairlifts.com](mailto:enquiries@platinumstairlifts.com)

Company Registration Number: 3179671 VAT Registration Number: 288337264

Designed to comply with EN81-40:2020. For patent information, please visit [www.platinumstairlifts.com/patent](http://www.platinumstairlifts.com/patent)



Numéro d'enregistrement de l'entreprise: 3179671  
Numéro d'enregistrement TVA: 288337264  
Certifié conforme à BSEN81-40:2008 et Euro Pat App 3478618  
Pour obtenir des informations sur les brevets, veuillez visiter  
[www.platinumstairlifts.com/patent](http://www.platinumstairlifts.com/patent)



Firmenregistrierungsnummer: 3179671  
Umsatzsteuer-Identifikationsnummer: 288337264  
Zertifiziert nach EN81-40:2020 und Euro Pat App 3478618  
Informationen zum Patent finden Sie unter  
[www.platinumstairlifts.com/patent](http://www.platinumstairlifts.com/patent)



Numero di registrazione della società: 3179671  
Numero di partita IVA: 288337264  
Testato e certificato in modo indipendente per la conformità a  
EN81-40:2020 e Euro Pat App 3478618  
Per informazioni sui brevetti si prega di visitare  
[www.platinumstairlifts.com/patent](http://www.platinumstairlifts.com/patent)



Número de registro de empresa: 3179671  
Número de IVA: 288337264  
Probado y certificado de forma independiente para cumplir con  
EN81-40:2020  
Para obtener información sobre patentes, visite  
[www.platinumstairlifts.com/patent](http://www.platinumstairlifts.com/patent)

