

freeway

# TRANSACTIVE<sup>XT</sup>RA



130kg, 160kg, 200kg, 270kg  
versions available

# FEATURES

The Transactive Xtra is a safe, reliable and effective ceiling track hoist for carers and users alike. Together with the extensive range of track configurations, the Transactive Xtra can provide the perfect solution to your hoisting requirements.

- Available in multiple configurations
- Smooth running lift tape
- Unobtrusive design discreetly blends with surroundings
- Manual or powered traverse options
- LCD screen for diagnostics and battery status
- Manual and electrical emergency lowering



Ergonomically designed pneumatic hand control, with coloured buttons to indicate direction of movement



Padded carry bar with sling retaining clips for added safety available as standard



Emergency Pull Cord

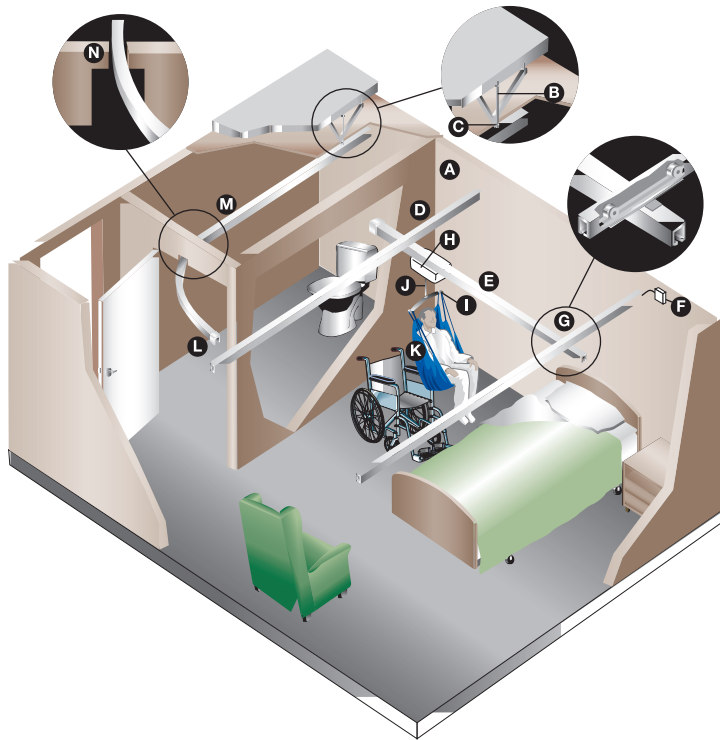
### LCD Features

- Lift Counter
- Battery Level Indicator
- Diagnostics Feature
- Status Indicator

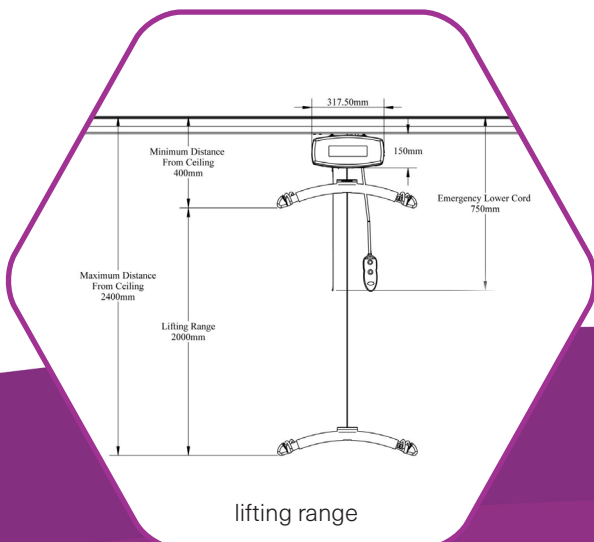
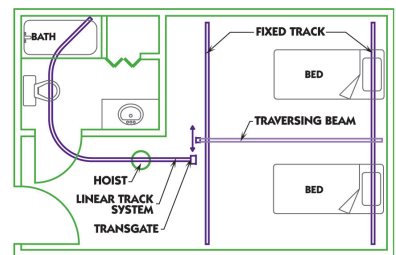
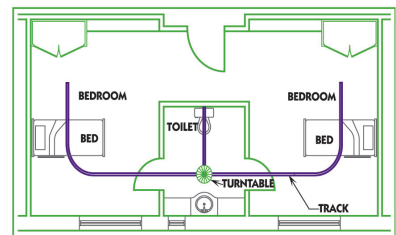
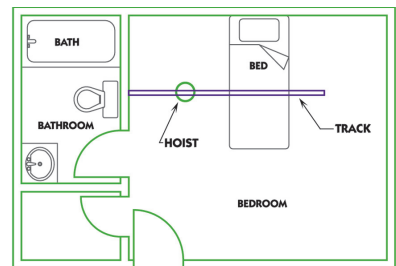
### Manual Lowering & Raising



# INSTALLATION SOLUTIONS



- |                                |                         |
|--------------------------------|-------------------------|
| A. Structural Attachment Point | H. Ceiling Track Hoist  |
| B. Threaded Rod                | I. Carry Bar            |
| C. Track Bracket               | J. Lift Tape            |
| D. Track                       | K. Sling                |
| E. Traversing Track            | L. Transition Gate      |
| F. Charging Dock               | M. Curved Track         |
| G. "H" System                  | N. Modified Door Header |

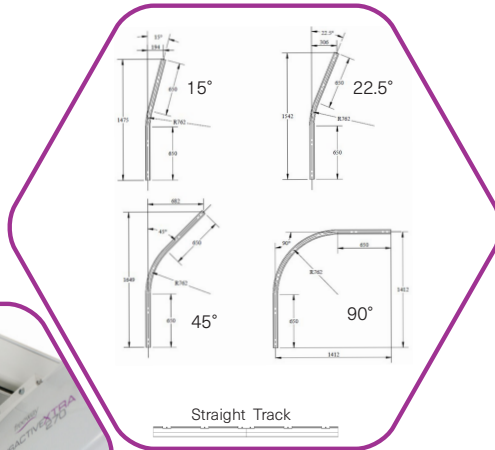


Compatible with Mackworth, Prism and Care-ability branded slings

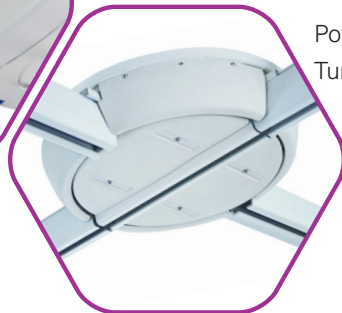


# TRACKS AND ACCESSORIES

Multiple Track Options



Transition Gate



Powered & Manual Turntable Options

The Transactive Xtra is manufactured in the UK and has been tested to ISO 10535

## TRANSACTIVE XTRA SPECIFICATIONS

Max. Safe Working Load: 130kg, 160kg, 200kg, 270kg

Fire Retardant ABS Housing

Charging Time: 8 Hours Max.

Unit Weight:  
Manual - 9.7kg  
Driven - 10.4kg

Lifting Range: 2000mm

Lifting Speed:  
Loaded - 30mm/s  
Unloaded - 56mm/s

SLA Batteries: 2 x 12V, 5Ah

Hoist Protection: IP21  
Handset Protection: IP67

Warranty: 36 months  
(Excluding Batteries)

### Prism Medical UK Head Office

Unit 4, Jubilee Business Park,  
Grange Moor, Wakefield  
WF4 4TD

Telephone: 01924 840100  
Email [info@prismmedical.co.uk](mailto:info@prismmedical.co.uk)

### Prism Medical UK Manufacturing Centre

Unit 1, Tir Llwyd Industrial Estate,  
Kinmel Bay, Conwy  
LL18 5JZ

